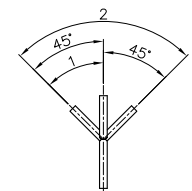
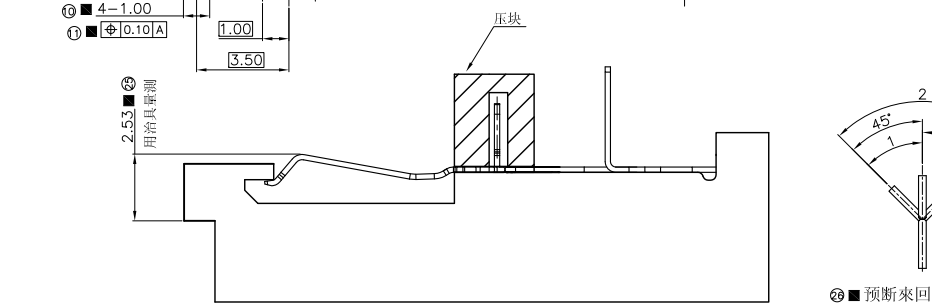
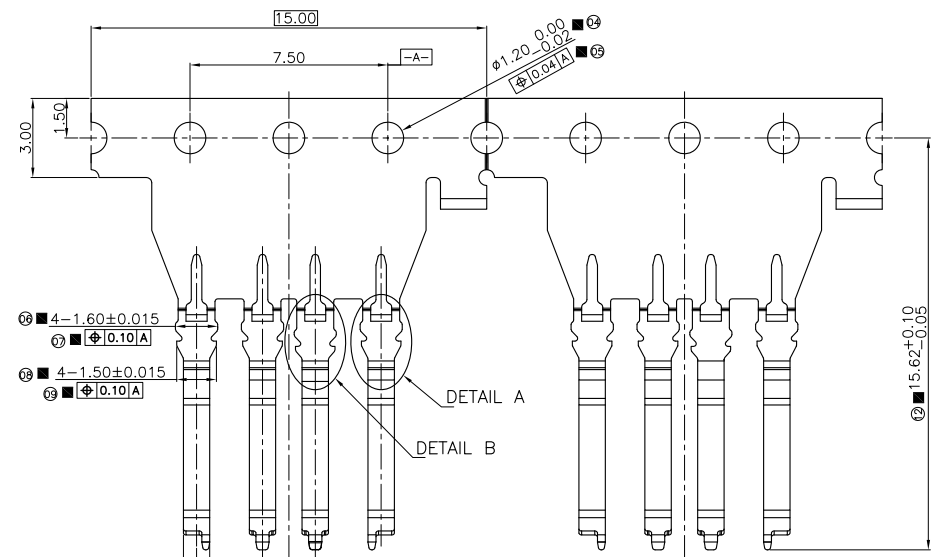
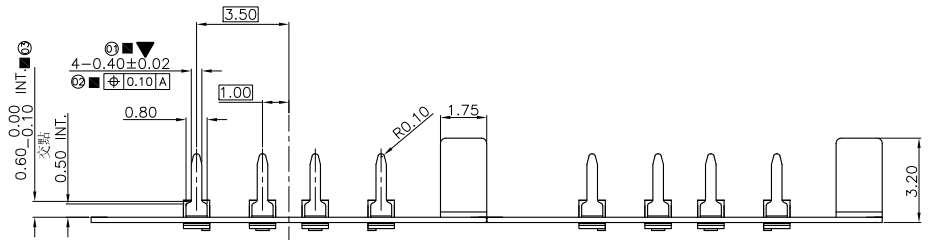


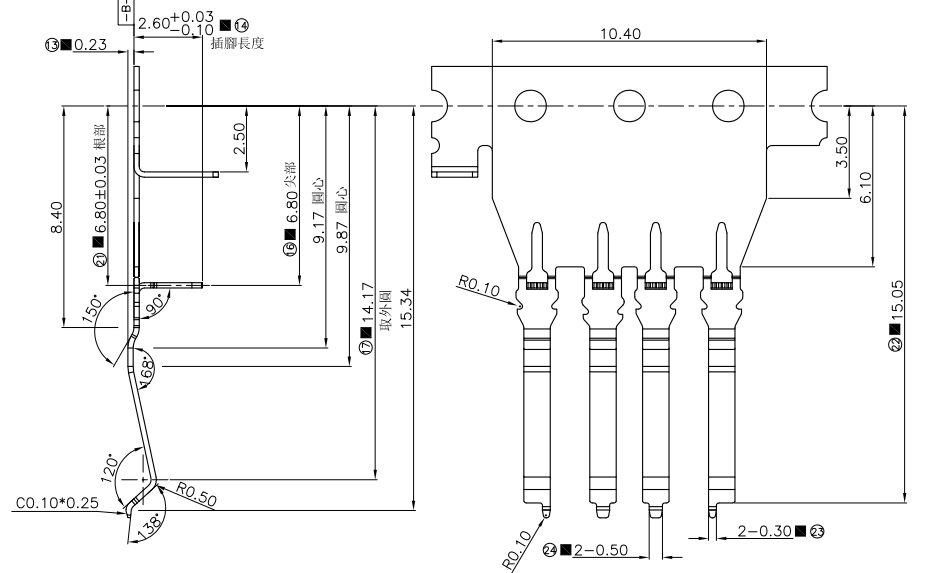
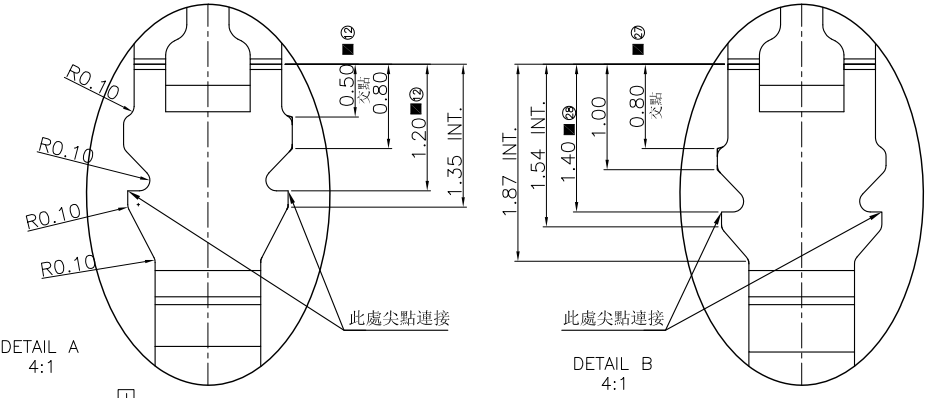
1 2 3 4 5 6 7 8

T  
E  
D  
C  
B  
A

T  
E  
D  
C  
B  
A



② 預斷來回2次可折斷



REV.	ECN. NO.	DRAWN	DATE	EC.content
A	NEW	WuQiangYuan	04/07/17	-



⊗: QUALITY CONTROL ITEM	GENERAL TOLERANCE .X± 0.10 X.'± 3' .XX± 0.05 .X'± 3' .XXX± 0.03	PART NO.: 20-0430-0A
APPROVED		TITLE: USB3.0-15 4PIN TERMINAL
CHECKED		
DRAWN	吳強遠 17.04.07	UNIT: mm
		SCALE: 1:1
		SHEET: 1/2
		REV.: A

RoHS	30u"	MATTE TIN	20-0430-6A
	15u"		20-0430-5A
	10u"		20-0430-3A
	5u"		20-0430-2A
	1u"		20-0430-1A
GP TYPE	CONTACT AREA GOLD THICKNESS	NO PLATING SOLDER AREA	PART NUMBER

說明: △ :備註 ◇ :版本變更 ① :尺寸序號 ■ :重點尺寸 ▼ :CPK尺寸 DOCUMENT NO. : ZER0013/A.3

1 2 3

DIE ON: YK260  
SIZE: A4

1 2 3 4 5 6 7 8

F

E

D

C

B

A

F

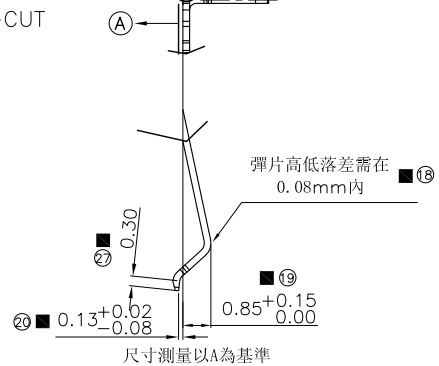
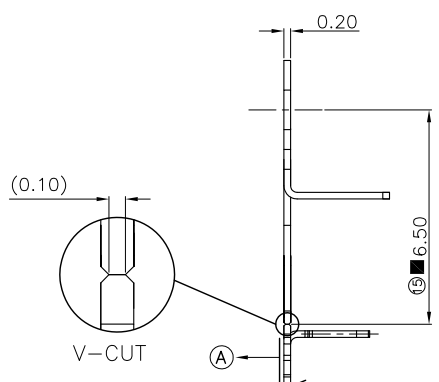
E

D

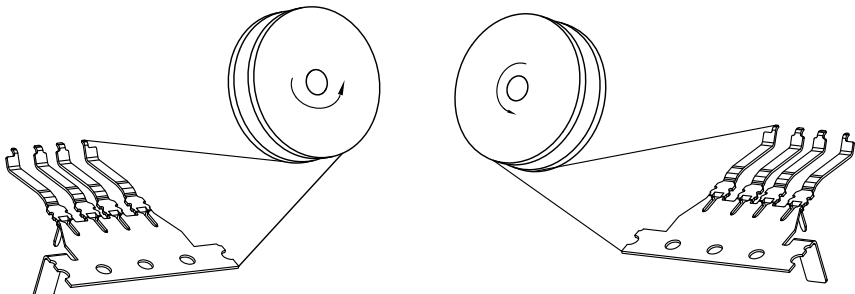
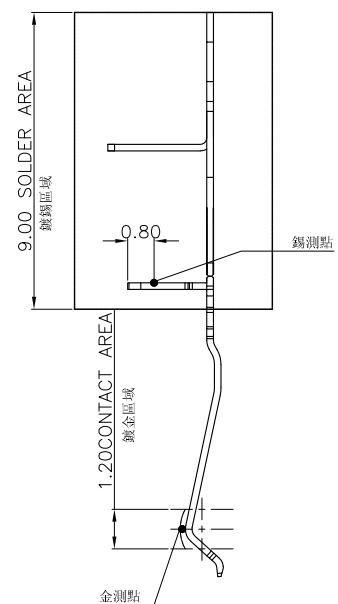
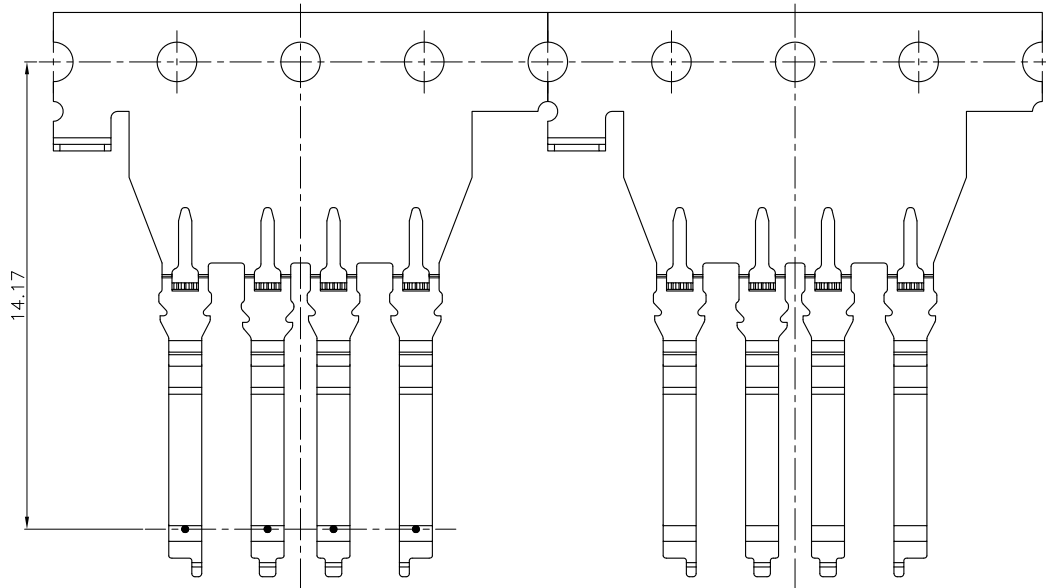
C

DIE ON: YK260

SIZE: A4



尺寸測量以A為基準



27 衝壓收料方向 28 電鍍出料方向

- 說明
1. 材質 銅 C5210-SH, T=0.20±0.01
  2. 毛邊 0.05 最大, 接觸區和焊錫區無毛邊
  3. 料帶弧形 5mm MAX/1000mm.
  4. 扭曲 45° MAX/1000mm.
  6. "■": 重點尺寸,
  7. "⊗": FAI 尺寸,
  8. "▼": CPK 尺寸,
  9. 電鍍規格
    - 8-1 全區鍍鍍底 50-100u"
    - 8-2 接觸面 鍍金(規格對照表);
    - 8-3 焊腳鍍鍍 80-120u"
  - 10 模具 NO.: C0298-A0

REV.	ECN. NO.	DRAWN	DATE	EC.content
A	NEW	WuQiangYuan	04/07/17	-



⊗: QUALITY CONTROL ITEM	GENERAL TOLERANCE .X± 0.10 X.'± 3' .XX± 0.05 .X'± 3' .XXX± 0.03	PART NO.: 20-0430-0A
APPROVED		TITLE: USB3.0-15 4PIN TERMINAL
CHECKED		
DRAWN	吳強遠 17.04.07	UNIT: mm
		SCALE: 1:1
		SHEET: 2/2
		REV.: A